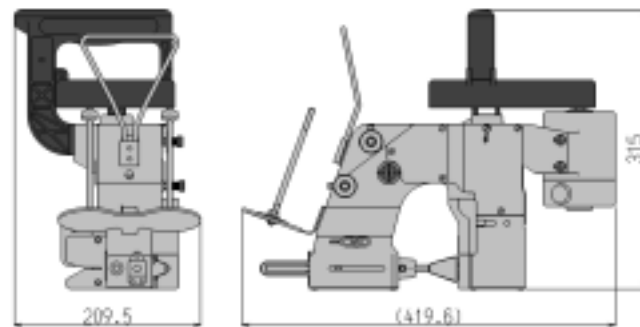




1999年10月18日、藤岡ニューロン工業株式会社  
 ミシン事業部は ISO9001【国際品質保証管理規格】  
 認証を取得しました。

# NP-3II



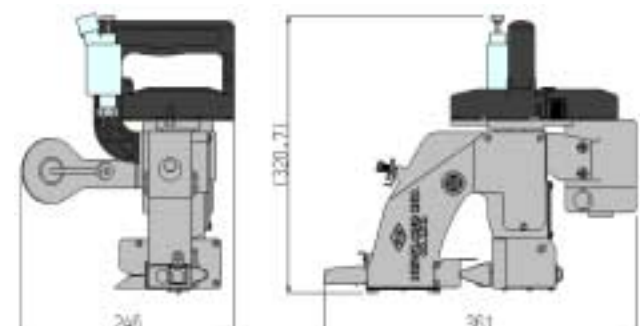
■ SPECIFICATIONS

Model	NP-3
Capacity (r.p.m)	1,650± 100
Stitch Range (mm)	8.5 (fixed)
Seam	Double thread chain stitch
Thread Cutting	Automatic
Drive Motor (w)	90,1 Ph (specity voltage)
Net Weight (kg)	6. (14lbs) with thread
Gross Weight (kg)	Approx. 9
Measurement (cft)	Approx. 2.5

## PORTABLE BAG CLOSER

# NP-3II NP-7A

# NP-7A



■ SPECIFICATIONS

Model	NP-7A
Capacity (r.p.m)	1,700 1,900
Stitch Range (mm)	8.5 (fixed)
Seam	Single Thread Chain Stitch
Thread Cutting	Automatic
Drive Motor (w)	90,1 Ph (specity voltage)
Net Weight (kg)	(13lbs) with thread
Gross Weight (kg)	Approx. 8.7
Measurement (cft)	Approx. 2.5

NP-3

Recommended for bags of all materials, like jute, paper, cotton, PP, etc.  
 Double thread chain stitch ensures tightest closure.



NP-7A

For minimum cost closing of all kinds of bags. Single thread chain stitch, with simple mechanism for easier maintenance. New type NP-7A is provided with a plastic handle and an auto-lubrication.



## NEWLONG INDUSTRIAL CO., LTD.

8-14, SHIRATORI, 4-CHOME, KATSUSHIKA-KU, TOKYO, 125-0063, JAPAN

TOKYO HEAD OFFICE  
 MECHANICAL DESIGN ENGINEERING DEPT.

TEL: 81-3-3603-2284 FAX: 81-3-3603-2253  
 TEL: 81-3-3603-2252 FAX: 81-3-3602-2694

URL <http://NLwww.com/>  
 E-mail [info@nlwww.com](mailto:info@nlwww.com)